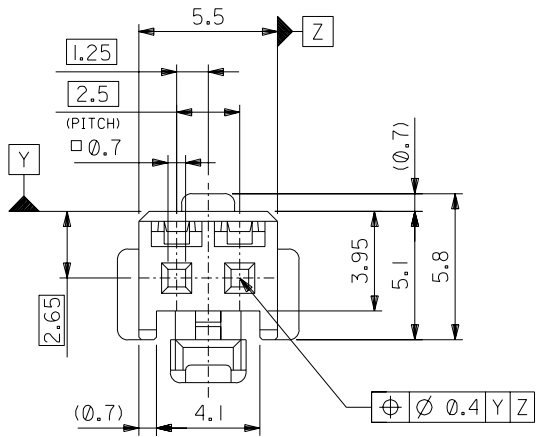
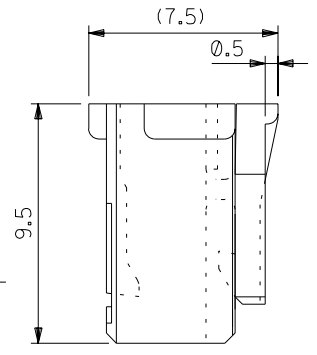
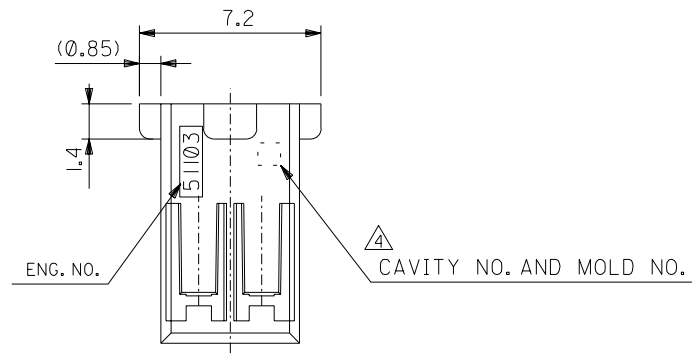
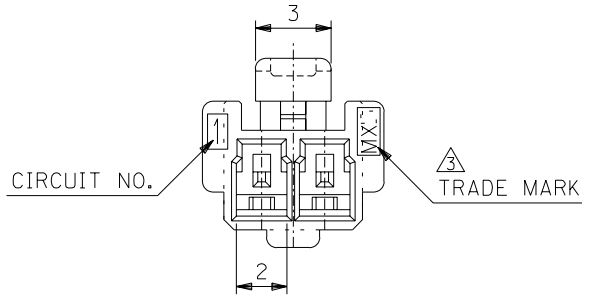


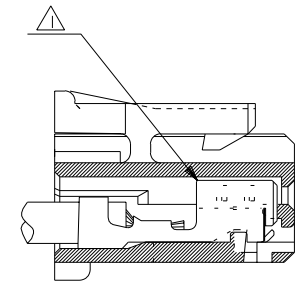
DWG. NO. SD-51103-020



注記 NOTES

- △ 適合ターミナル：50351-8*00
APPLICABLE TERMINAL：50351-8*00
- 2. 嵌合相手：53464 シリーズ
MATE WITH：53464 SERIES.
- △ MX Jと表示。
INDICATE MXJ.
- △ キャビティー番号：1桁～2桁の数字
金型番号：アルファベット1文字にて構成。(例. 1A, 10B)
FORMED BY 1 DIGIT TO 2 DIGIT NUMBERS (TO CAVITY NO.)
AND BY 1 LETTER OF ALPHABET (TO MOLD NO.).
(e.g. 1A, 10B)
- 5. 製品番号の末尾は製品の色を示す
LAST NUMBER OF DWG.NO. MEANS PART COLLER.

51103-**25
色番号 COLLER CODE
5 蛍光灰色 GRAY



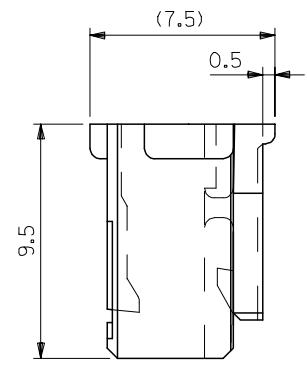
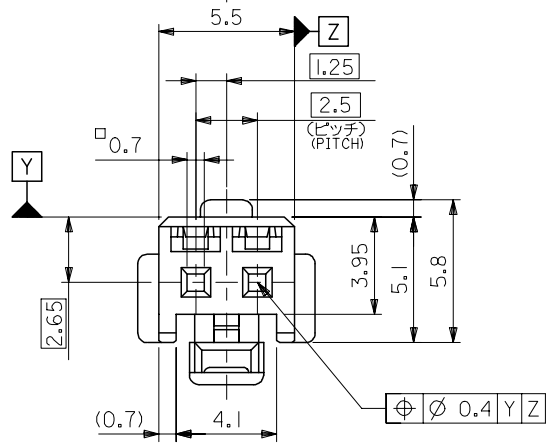
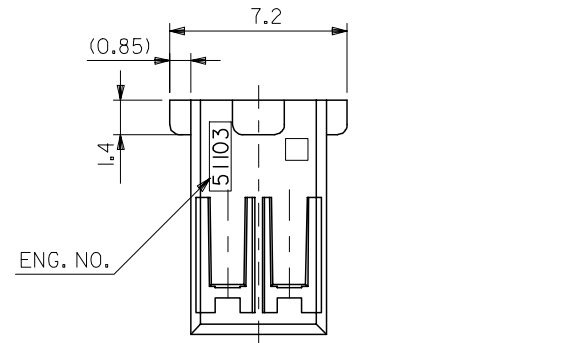
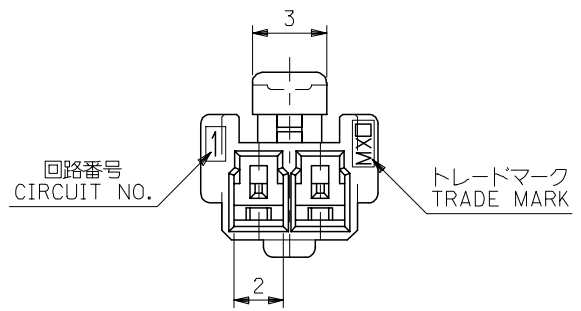
ターミナル装着状態図
TERMINAL ASSEMBLY DRAWING

51103-0225	2
MATERIAL NO.	NO. OF CIRCUIT

DIMENSIONS:		SHT	REV
<input type="checkbox"/> mm	<input type="checkbox"/> INCH		
<input checked="" type="checkbox"/> mm	<input type="checkbox"/> INCH		
		22 INCH ON CAD ONLY	

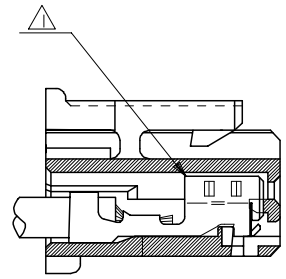
DO NOT SCALE DRAWING	① 64 NO. DRWN: CH'K: APPR:	② 63 NO. DRWN: CH'K: APPR:	③ 62 NO. DRWN: CH'K: APPR:	④ 61 NO. DRWN: CH'K: APPR:	RELEASED '02/11/22 ⑤ 60 NO. J2003-1451 DRWN: N.IITO CH'K: K.ASAKAWA APPR: T.YAMAGUCHI	MATERIAL 材料 POLYBUTYLENE TEREPHTHALATE UL94V-0	GENERAL TOLERANCES: (UNLESS SPECIFIED) 一般公差 10 UNDER 未満 ±0.2 10 OVER 以上 30 UNDER 未満 ±0.25 30 OVER 以上 ±0.3 ANGLE 角度 ±3°	SCALE 5 : 1 DESIGN UNITS <input checked="" type="checkbox"/> mm <input type="checkbox"/> INCH DRAWN BY & DATE N.IITO '02/11/22 CHECKED BY & DATE K.ASAKAWA '02/11/22 APPROVED BY & DATE T.YAMAGUCHI '02/11/22 CAD FILENAME SD-51103-020.S01	TITLE: 2.5 WIRE TO BOARD CONN. HOUSING (POSITIVE LOCK) MOLEX MOLEX INCORPORATED	DIMENSIONS: <input type="checkbox"/> mm <input type="checkbox"/> INCH <input checked="" type="checkbox"/> mm ONLY SHT 2 REV 1 OF 1 MATERIAL NO. SEE CHART DRAWING NO. SD-51103-020 SHEET NO. 1 OF 1
	⑥ 60 NO. DRWN: CH'K: APPR:	⑦ 59 NO. DRWN: CH'K: APPR:	⑧ 58 NO. DRWN: CH'K: APPR:	⑨ 57 NO. DRWN: CH'K: APPR:	⑩ 56 NO. DRWN: CH'K: APPR:	⑪ 55 NO. DRWN: CH'K: APPR:	⑫ 54 NO. DRWN: CH'K: APPR:	⑬ 53 NO. DRWN: CH'K: APPR:	⑭ 52 NO. DRWN: CH'K: APPR:	⑮ 51 NO. DRWN: CH'K: APPR:
	⑯ 50 NO. DRWN: CH'K: APPR:	⑰ 49 NO. DRWN: CH'K: APPR:	⑱ 48 NO. DRWN: CH'K: APPR:	⑲ 47 NO. DRWN: CH'K: APPR:	⑳ 46 NO. DRWN: CH'K: APPR:	㉑ 45 NO. DRWN: CH'K: APPR:	㉒ 44 NO. DRWN: CH'K: APPR:	㉓ 43 NO. DRWN: CH'K: APPR:	㉔ 42 NO. DRWN: CH'K: APPR:	㉕ 41 NO. DRWN: CH'K: APPR:
	㉖ 40 NO. DRWN: CH'K: APPR:	㉗ 39 NO. DRWN: CH'K: APPR:	㉘ 38 NO. DRWN: CH'K: APPR:	㉙ 37 NO. DRWN: CH'K: APPR:	㉚ 36 NO. DRWN: CH'K: APPR:	㉛ 35 NO. DRWN: CH'K: APPR:	㉜ 34 NO. DRWN: CH'K: APPR:	㉝ 33 NO. DRWN: CH'K: APPR:	㉞ 32 NO. DRWN: CH'K: APPR:	㉟ 31 NO. DRWN: CH'K: APPR:

THIS DRAWING CONTAINS INFORMATION THAT IS PROPRIETARY TO MOLEX INCORPORATED AND SHOULD NOT BE USED WITHOUT WRITTEN PERMISSION. SIZE B



注記 NOTES

- △ 適合ターミナル：5035I-8*00
APPLICABLE TERMINAL：5035I-8*00
- 2. 嵌合相手：53375,53426 シリーズ
MATE WITH：53375,53426 SERIES
- △ 偶数極の製品に適用。
APPLY EVEN CIRCUIT PRODUCTS.
- 4. 製品型番の下1桁は色を表す。
LAST DIGIT OF PART NUMBER INDICATES COLOR.
0：白 WHITE 1：黒 BLACK 2：赤 RED
3：黄 YELLOW 4：青 BLUE



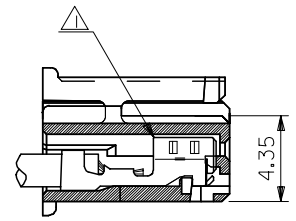
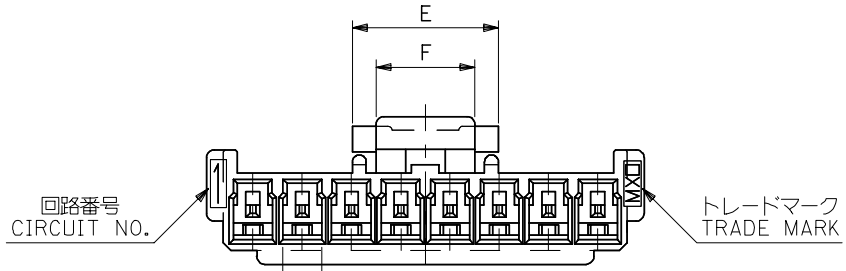
ターミナル装着状態図
TERMINAL ASSEMBLY DRAWING

2極に適用
FOR 2 CKTS.

51103-020*	2
MATERIAL NO.	CIRCUIT

RELEASED EC NO: J2005-2009 DRAWN: M.UMEDA 2005/02/02 CHKD: K.TOYODA 2005/02/04 APPR: N.UKITA 2005/02/14 REV: 0	GENERAL TOLERANCES (UNLESS SPECIFIED)		DIMENSION STYLE MM ONLY		SCALE ---	DESIGN UNITS METRIC	THIRD ANGLE PROJECTION	
	10 UNDER	±0.2	DRAWN BY M.UMEDA		DATE 2005/01/14		TITLE 2.5 W/B CONN. HOUSING (POSITIVE LOCK)	
	10 OVER 30 UNDER	±0.25	CHECKED BY K.TOYODA		DATE 2005/01/14		MOLEX INCORPORATED	
	30 OVER	±0.3	APPROVED BY N.UKITA		DATE 2005/01/14		DOCUMENT NO. SD-51103-021	
	ANGULAR	±3 °	MATERIAL NO.		SEE CHART		SHEET NO. 1 OF 2	
DRAFT WHERE APPLICABLE MUST REMAIN WITHIN DIMENSIONS			SIZE A3		THIS DRAWING CONTAINS INFORMATION THAT IS PROPRIETARY TO MOLEX INCORPORATED AND SHOULD NOT BE USED WITHOUT WRITTEN PERMISSION			

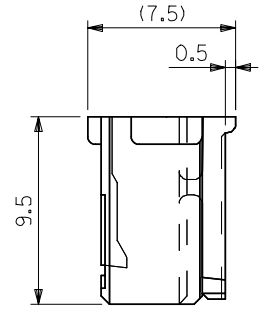
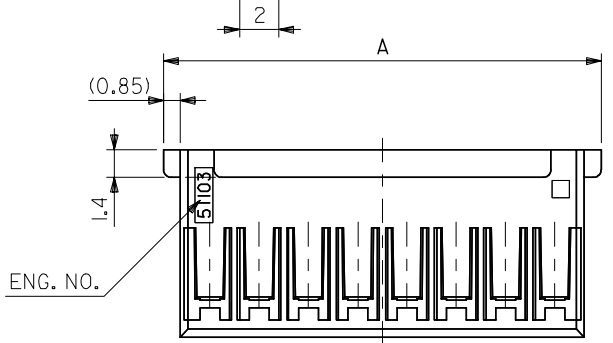
10 9 8 7 6 5 4 3 2 1



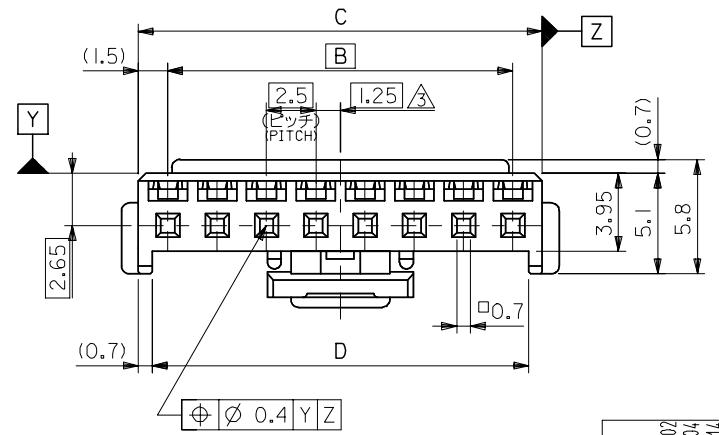
ターミナル装着状態図
TERMINAL ASSEMBLY DRAWING

注記 NOTES

- △ 適合ターミナル：5035I-8*00
APPLICABLE TERMINAL：5035I-8*00
- 2. 嵌合相手：53375,53426 シリーズ
MATE WITH：53375,53426 SERIES
- △ 偶数極の製品に適用。
APPLY EVEN CIRCUIT PRODUCTS.
- 4. 製品型番の下1桁は色を表す。
LAST DIGIT OF PART NUMBER INDICATES COLOR.
0：白 WHITE 1：黒 BLACK 2：赤 RED
3：黄 YELLOW 4：青 BLUE

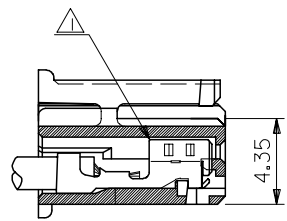
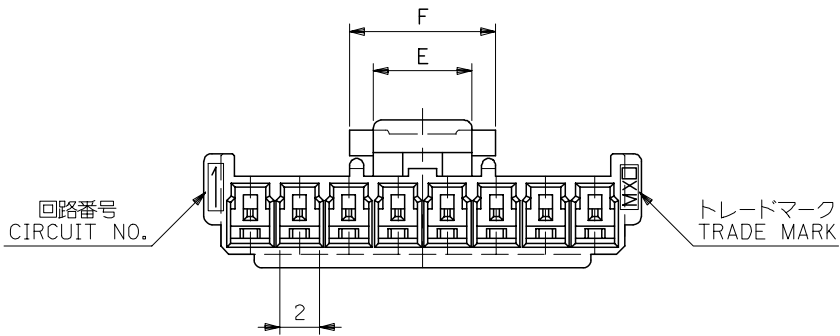


3-15 極に適用
FOR 3-15 CKTS.



RELEASED EC NO: J2005-2009 DRAWN: MUMEDA 2005/02/07 CHKD: KTOYODA 2005/02/04 APPR: NUKITA 2005/02/14	GENERAL TOLERANCES (UNLESS SPECIFIED)		DIMENSION STYLE MM ONLY		SCALE ---	DESIGN UNITS METRIC	THIRD ANGLE PROJECTION		
	10 UNDER	±0.2	DRAWN BY M.UMEDA		DATE 2005/01/14	TITLE 2.5 W/B CONN. HOUSING (POSITIVE LOCK)			
	10 OVER 30 UNDER	±0.25	CHECKED BY KTOYODA		DATE 2005/01/14				
	30 OVER	±0.3	APPROVED BY N. UKITA		DATE 2005/01/14	MOLEX INCORPORATED			
	ANGULAR ±3 °		MATERIAL NO.		DOCUMENT NO.				
DRAFT WHERE APPLICABLE MUST REMAIN WITHIN DIMENSIONS		SEE CHART		SD-51103-021		2 OF 2			

10 9 8 7 6 5 4 3 2 1

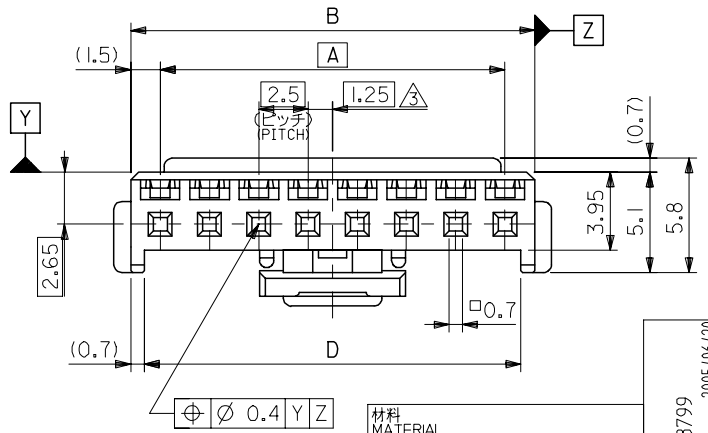
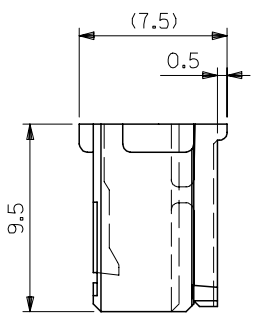
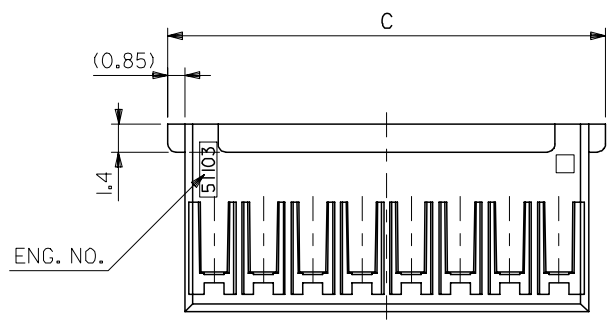


ターミナル装着状態図
TERMINAL ASSEMBLY DRAWING

注記 NOTES

- △1 適合ターミナル：50351-8*00
APPLICABLE TERMINAL：50351-8*00
- 2. 嵌合相手：53375,53376,53388,53389
53426 シリーズ
MATE WITH：53375,53376,53388,53389
53426 SERIES
- △3 偶数極の製品に適用。
APPLY EVEN CIRCUIT PRODUCTS.

3-15 極に適用
FOR 3-15 CKTS.



7.4	5	36.6	39.7	38	35	51103-1500	15
▲	▲	34.1	37.2	35.5	32.5	▲ -1400	14
		31.6	34.7	33	30	▲ -1300	13
		29.1	32.2	30.5	27.5	▲ -1200	12
		26.6	29.7	28	25	▲ -1100	11
		24.1	27.2	25.5	22.5	▲ -1000	10
		21.6	24.7	23	20	▲ -0900	9
		19.1	22.2	20.5	17.5	▲ -0800	8
		16.6	19.7	18	15	▲ -0700	7
		14.1	17.2	15.5	12.5	▲ -0600	6
		11.6	14.7	13	10	▲ -0500	5
7.4	5	9.1	12.2	10.5	7.5	▼ -0400	4
5	3	6.6	9.7	8	5	51103-0300	3
F	E	D	C	B	A	MATERIAL NO.	極数 NO. OF CKT.

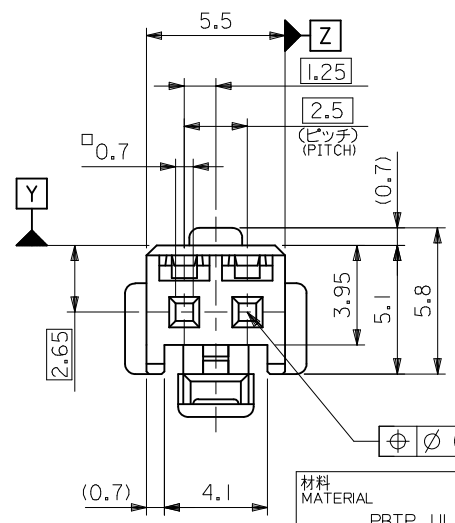
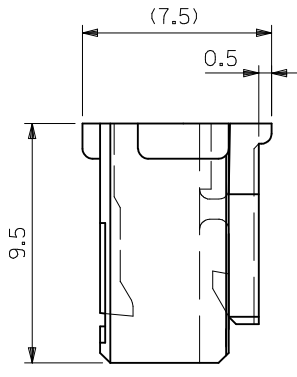
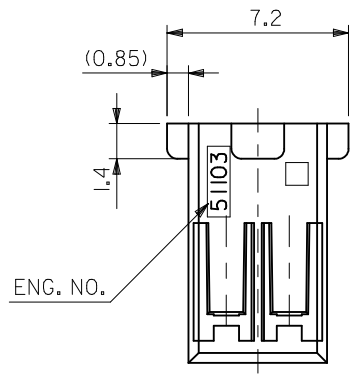
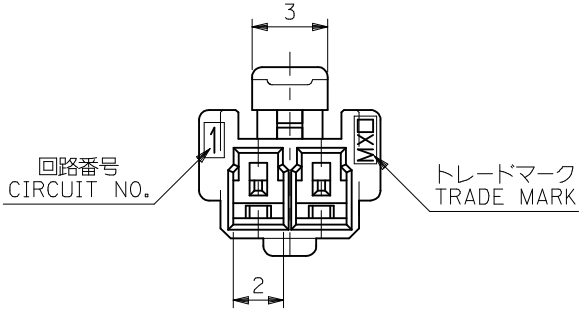
材料 MATERIAL	PBTP, UL94V-0 (白色 WHITE)
仕上げ FINISH	-#-
適用電線範囲 WIRE RANGE	-#-
被覆外径 INS. RANGE	-#-

REVISED	EC NO: J2005-3799
DRWN: MABEI	2005/06/20
CHKD: KTOYODA	2005/06/21
APPR: NUKITA	2005/06/27

GENERAL TOLERANCES (UNLESS SPECIFIED)	
10 UNDER	±0.2
10 OVER 30 UNDER	±0.25
30 OVER	±0.3
ANGULAR	±3 °
DRAFT WHERE APPLICABLE MUST REMAIN WITHIN DIMENSIONS	

DIMENSION STYLE MM ONLY	
DRAWN BY	T. ITO
DATE	'92/05/06
CHECKED BY	H. HIRAMOTO
DATE	'95/10/03
APPROVED BY	M. FUKUSHIMA
DATE	'95/10/03
MATERIAL NO. SEE CHART	
SIZE	A3

SCALE	4:1
DESIGN UNITS	METRIC
THIRD ANGLE PROJECTION	
TITLE 2.5 WIRE TO BOARD CONN HOUSING (POSITIVE LOCK)	
MOLEX MOLEX INCORPORATED	
DOCUMENT NO.	SD-51103-023
SHEET NO.	1 OF 2
THIS DRAWING CONTAINS INFORMATION THAT IS PROPRIETARY TO MOLEX INCORPORATED AND SHOULD NOT BE USED WITHOUT WRITTEN PERMISSION	

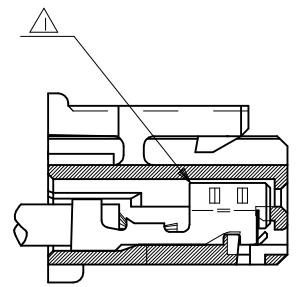


材料 MATERIAL	PBTP, UL94V-0 (白色 WHITE)
仕上げ FINISH	—
適用電線範囲 WIRE RANGE	—
被覆外径 INS. RANGE	—

⊕ ∅ 0.4 Y Z

注記 NOTES

- △ 適合ターミナル : 50351-8*00
APPLICABLE TERMINAL : 50351-8*00
- 2. 嵌合相手 : 53375,53426 シリーズ
MATE WITH : 53375,53426 SERIES



ターミナル装着状態図
TERMINAL ASSEMBLY DRAWING

2極に適用
FOR 2 CKTS.

51103-0200	2
MATERIAL NO.	極数 NO. OF CKTS.

REVISED EC NO. J2005-3799 DRWN:MMABEI 2005/06/20 CHKD:KTOYODA 2005/06/21 APPR:NUKITA 2005/06/27	GENERAL TOLERANCES (UNLESS SPECIFIED)	DIMENSION STYLE MM ONLY	SCALE 5:1	DESIGN UNITS METRIC	THIRD ANGLE PROJECTION
	10 UNDER ±0.2	DRAWN BY T. ITO	DATE '92/05/06	TITLE 2.5 WIRE TO BOARD CONN HOUSING (POSITIVE LOCK)	
	10 OVER 30 UNDER ±0.25	CHECKED BY H. HIRAMOTO	DATE '95/10/03	MOLEX INCORPORATED	
	30 OVER ±0.3	APPROVED BY M. FUKUSHIMA	DATE '95/10/03	DOCUMENT NO. SD-51103-023	SHEET NO. 2 OF 2
ANGULAR ±3 °	DRAFT WHERE APPLICABLE MUST REMAIN WITHIN DIMENSIONS		SEE CHART		
	THIS DRAWING CONTAINS INFORMATION THAT IS PROPRIETARY TO MOLEX INCORPORATED AND SHOULD NOT BE USED WITHOUT WRITTEN PERMISSION				