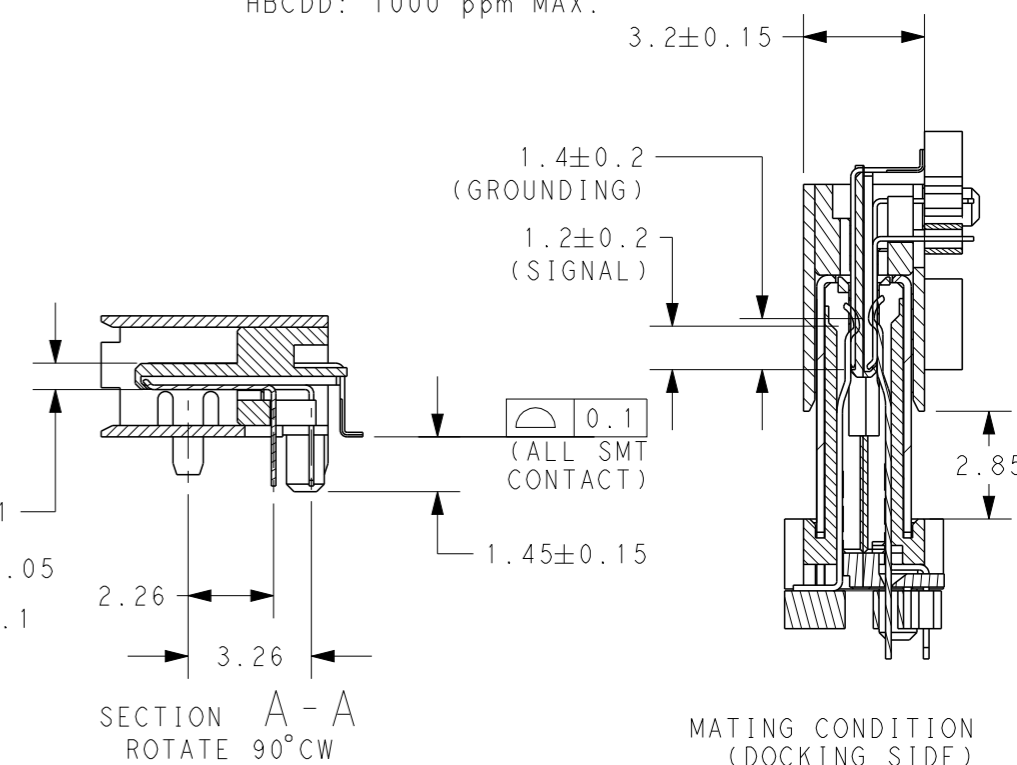
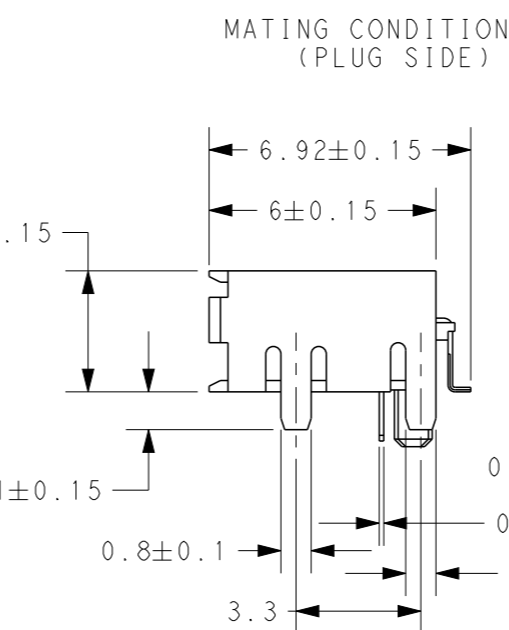
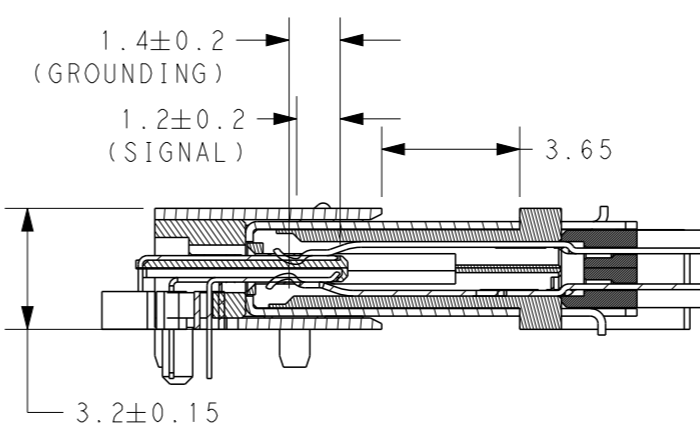
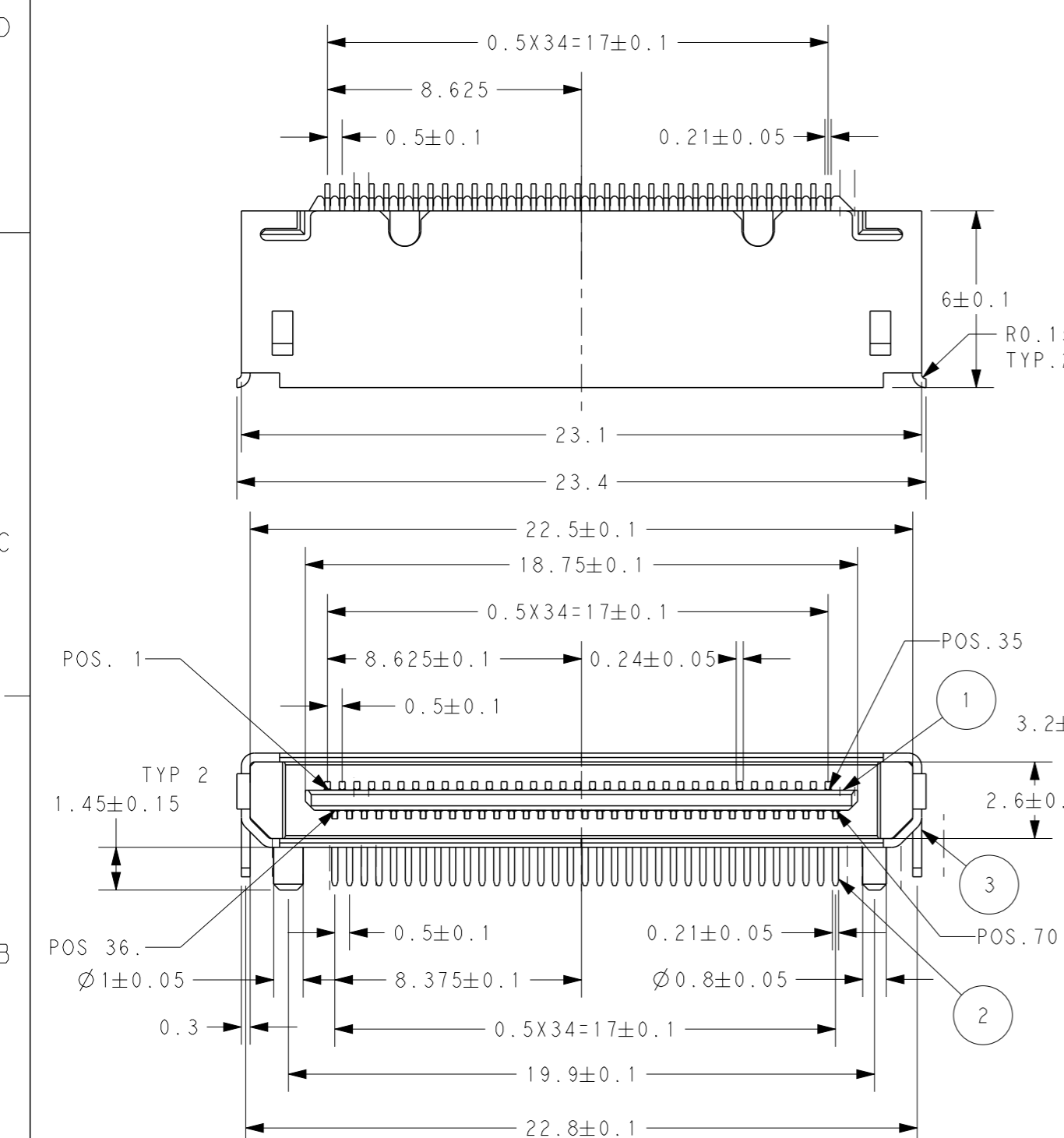



P	LTR	DESCRIPTION	DATE	DWN	APVD
A3		REVISED(ECR-13-010163)	24JUN13	P.H	H.K

2129390-2: AS SHOWN



- MATERIAL:
  - ① HOUSING: LCP(UL94V-0, BLACK).
  - ② CONTACT: BRASS
  - ③ SHELL: STAINLESS STEEL SUS304 ,THICKNESS 0.3mm
- FINISH:
  - CONTACT:
    - OVERALL 2um MIN. NICKEL PLATING
    - 0.38um MIN.AU PLATING ON CONTACT AREA
    - 0.1um MIN.MATTE TIN PLATING ON TINE AREA
  - SHELL:
    - 2um MIN.NICKEL PLATING OVERALL
- PRODUCT MUST MEET CONTROLLED SUBSTANCES PER TE SPEC:TEC-138-702
  - SPECIAL REQUEST OF LOW HALOGEN SPEC:
    - CHLORINE (Cl): 900ppm MAX.
    - BROMINE (Br): 900ppm MAX.
  - SPECIAL REQUEST OF REACH SvHC SPEC ON NON-MATAL MATERIAL:
    - DBP: 1000 ppm MAX.
    - DEHP: 1000 ppm MAX.
    - BBP: 1000 ppm MAX.
    - HBCDD: 1000 ppm MAX.

INFORMATION IS TE CONFIDENTIAL & PROPRIETARY

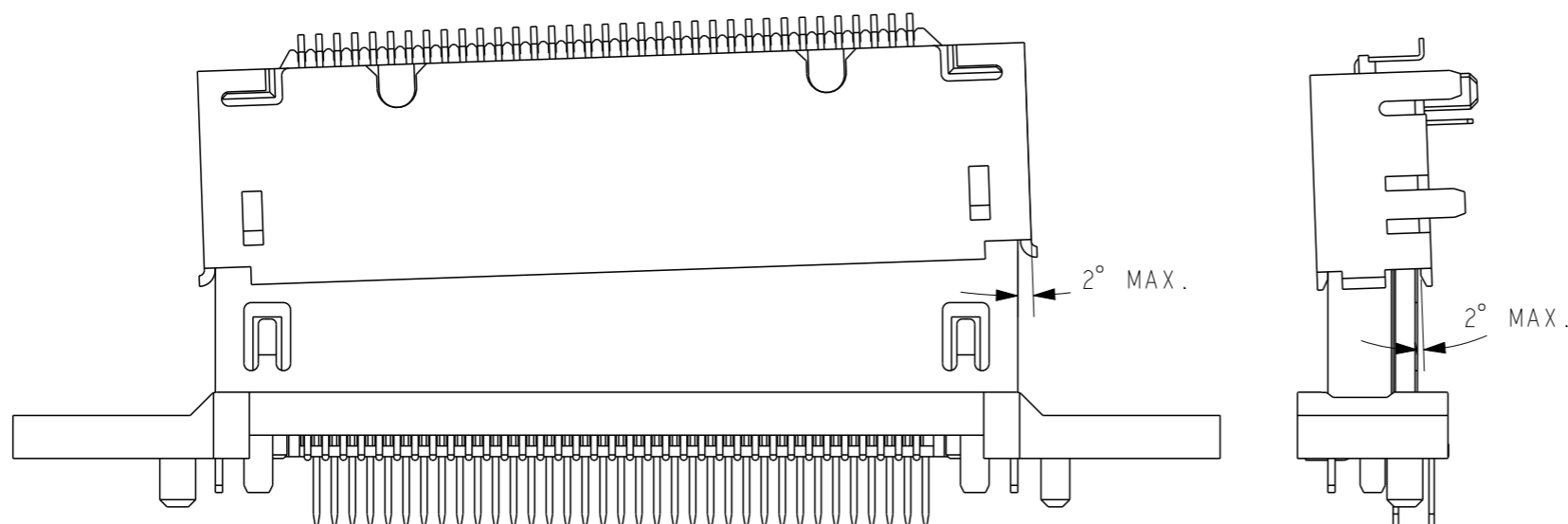
THIS DRAWING IS A CONTROLLED DOCUMENT.		DWN W.CHEN 13AUG2012	 TE Connectivity	NAME HEADER ASSEMBLY 0.5CL 70POS. DOCKING CONNECTOR
DIMENSIONS: mm		CHK W.CHEN 13AUG2012		
TOLERANCES UNLESS OTHERWISE SPECIFIED:		APVD H.KODAMA 13AUG2012		
0 PLC ±0.25 1 PLC ±0.25 2 PLC ±0.25 3 PLC ±0.25 4 PLC ±0.25 ANGLES ±5°		PRODUCT SPEC 108-99038		
MATERIAL		APPLICATION SPEC	SIZE A3	CAGE CODE 00779
FINISH		WEIGHT	DRAWING NO C-2129390	RESTRICTED TO
CUSTOMER DRAWING		SCALE 2:1	SHEET 1	OF 4
			REV A3	

LOC DW DIST

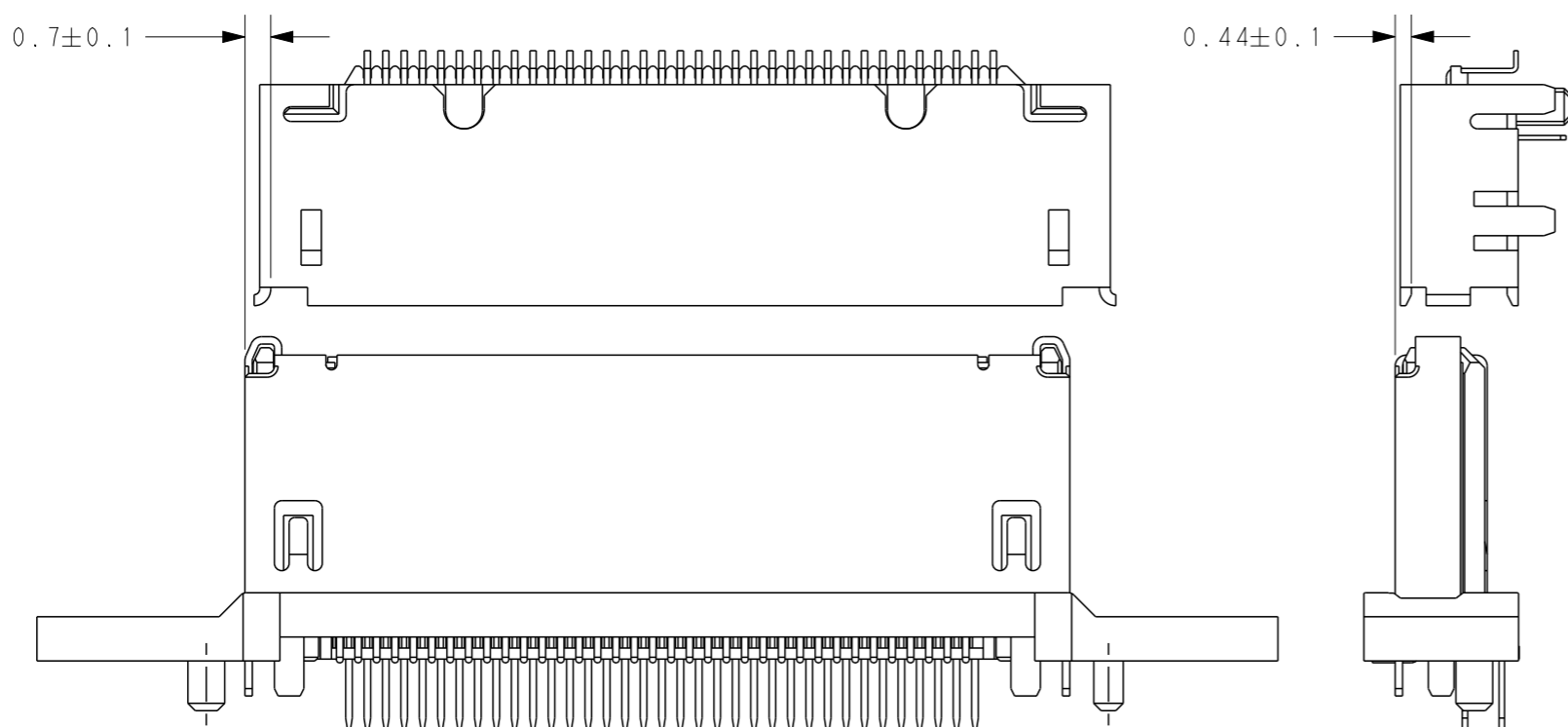
REVISIONS

P	LTR	DESCRIPTION	DATE	DWN	APVD
-	-	SEE SHEET 1	-	-	-

CONNECTOR CAN BE ROTATED ANGLE



CONNECTOR CAN BE SHIFT DIMENSION



INFORMATION IS TE CONFIDENTIAL & PROPRIETARY

THIS DRAWING IS A CONTROLLED DOCUMENT.

DIMENSIONS: mm	TOLERANCES UNLESS OTHERWISE SPECIFIED:
	0 PLC ±0.25
	1 PLC ±0.25
	2 PLC ±0.25
	3 PLC ±0.25
MATERIAL	4 PLC ±0.25
	ANGLES ±1°
	FINISH

DWN	-
CHK	-
APVD	-
PRODUCT SPEC	-
APPLICATION SPEC	-
WEIGHT	-
CUSTOMER DRAWING	-

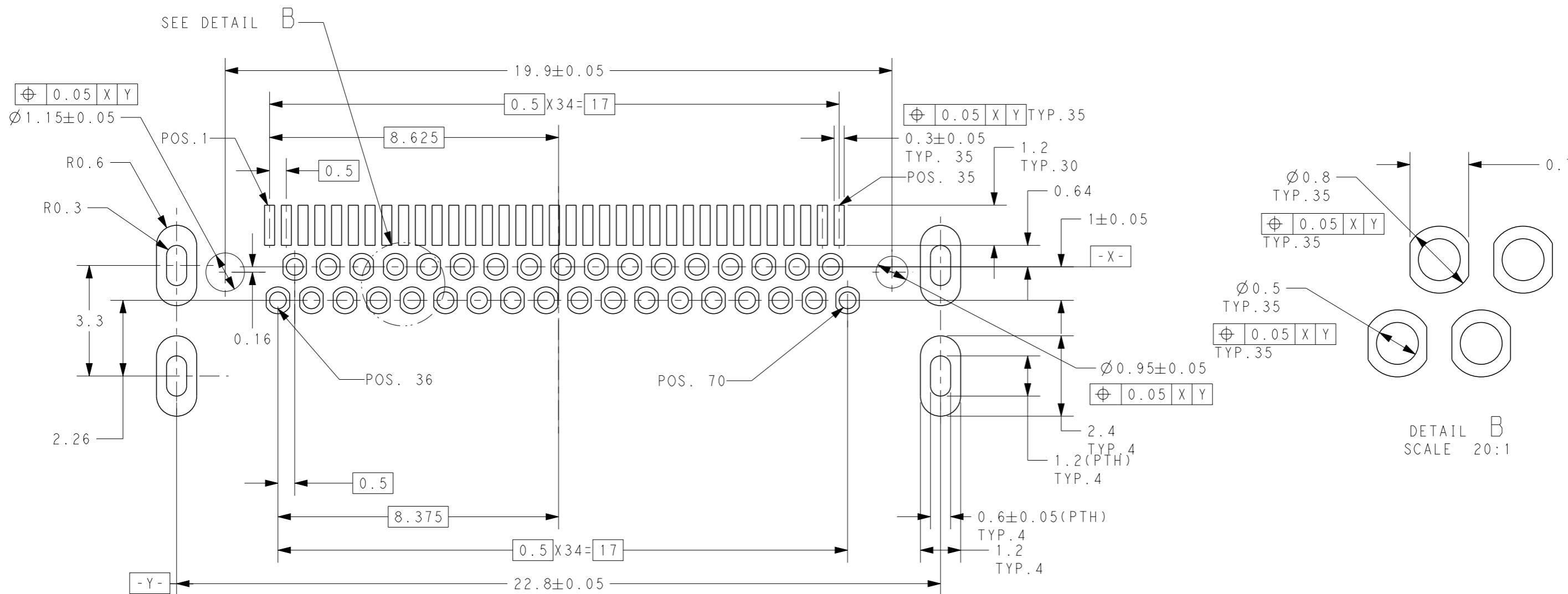
**TE** TE Connectivity

NAME: HEADER ASSEMBLY  
0.5CL 70POS. DOCKING CONNECTOR

SIZE	CAGE CODE	DRAWING NO	RESTRICTED TO
A3	00779	G-2129390	-


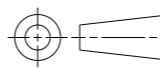
SCALE: 2:1 SHEET 2 OF 4 REV A3

P	LTR	DESCRIPTION	DATE	DWN	APVD
-	-	SEE SHEET 1	-	-	-

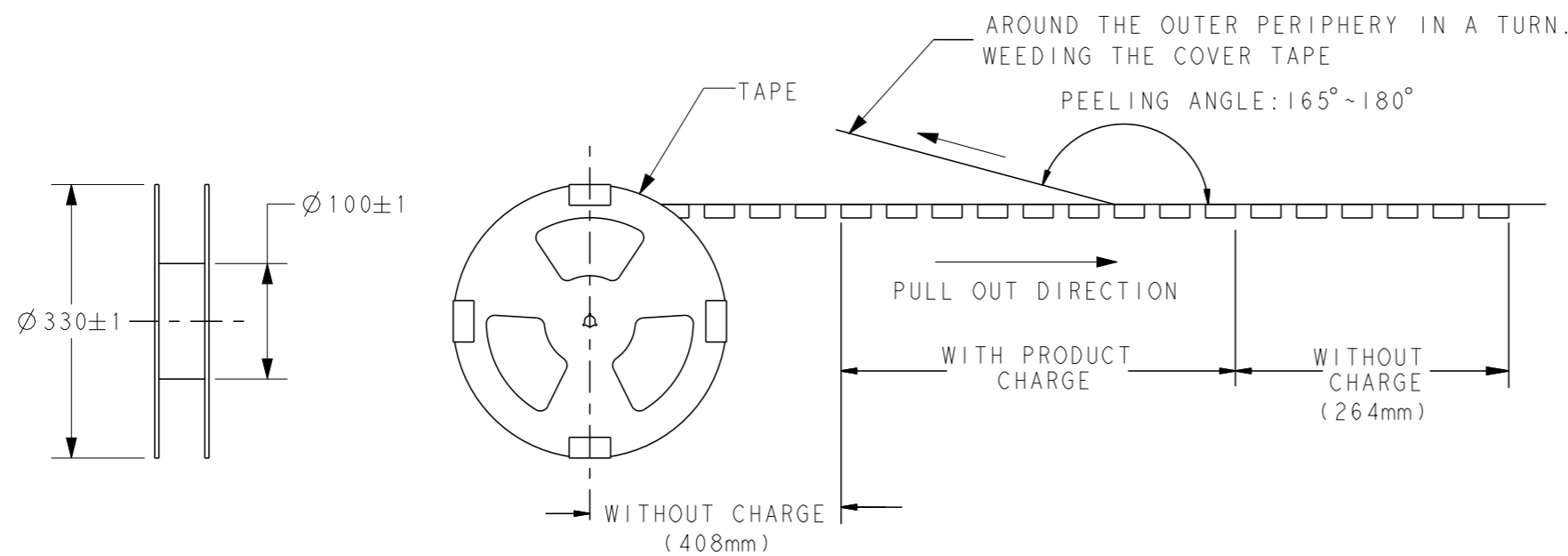
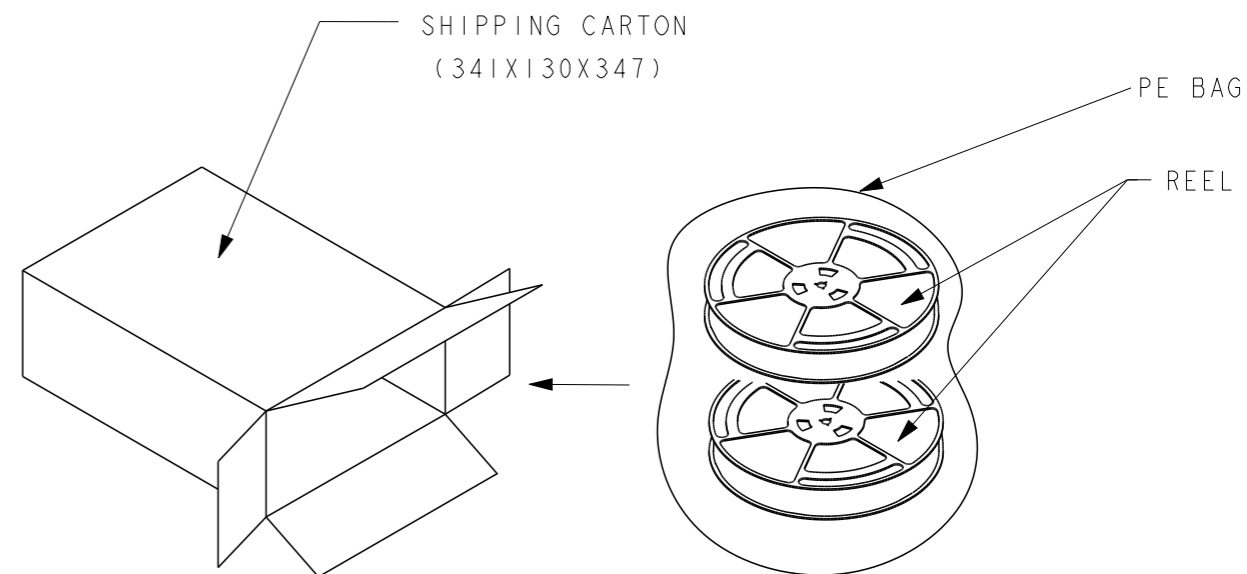
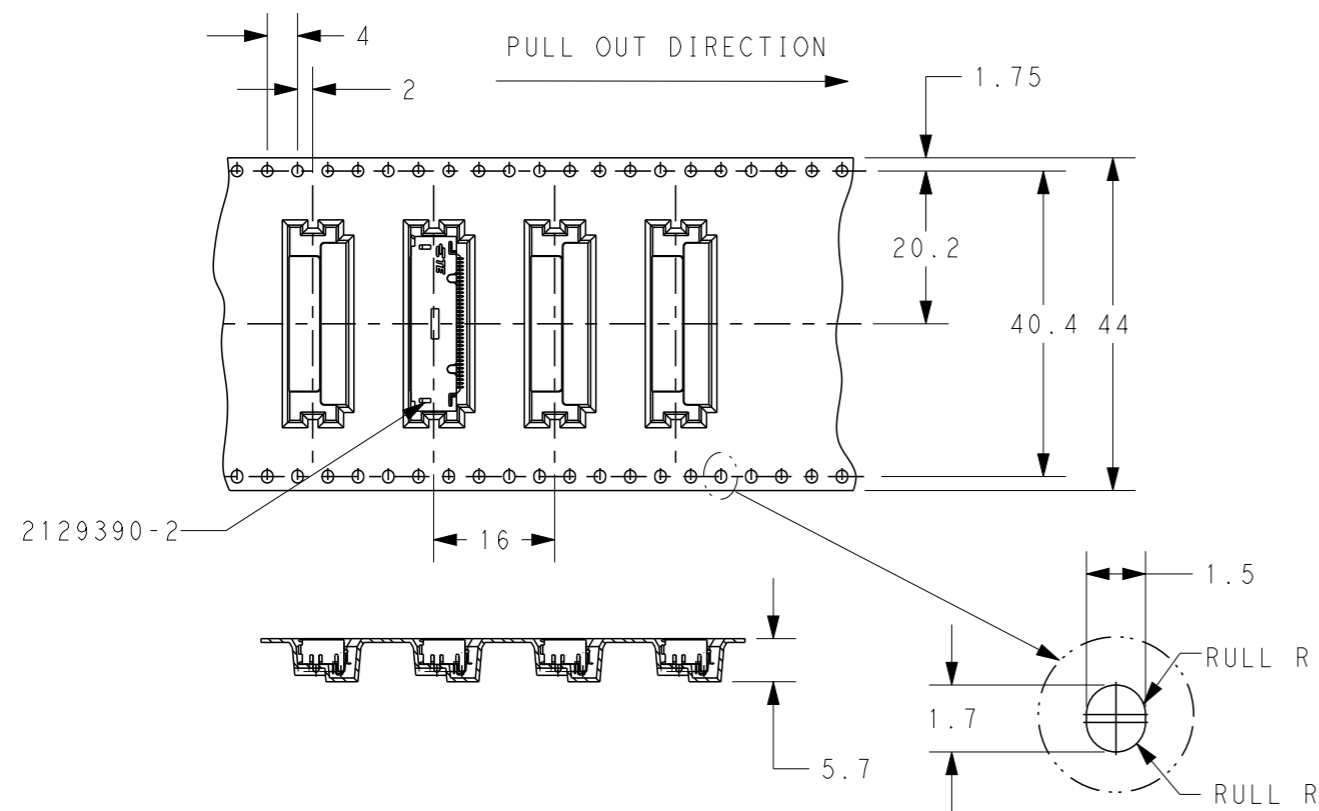


RECOMMEND PCB LAYOUT  
SCALE 8:1 (GENERAL TOLERANCE: ±0.1)

INFORMATION IS TE CONFIDENTIAL & PROPRIETARY

THIS DRAWING IS A CONTROLLED DOCUMENT.		DWN	 TE Connectivity			
DIMENSIONS: mm		CHK				
		APVD				
TOLERANCES UNLESS OTHERWISE SPECIFIED:		PRODUCT SPEC				
0 PLC ±0.25 1 PLC ±0.25 2 PLC ±0.25 3 PLC ±0.25 4 PLC ±0.25 ANGLES ±5°		APPLICATION SPEC	NAME HEADER ASSEMBLY 0.5CL 70POS. DOCKING CONNECTOR			
MATERIAL		WEIGHT	SIZE	CAGE CODE	DRAWING NO	RESTRICTED TO
FINISH		CUSTOMER DRAWING	A3	00779	G-2129390	-
		SCALE	SHEET		OF	REV
		2:1	3		4	A3

P	LTR	DESCRIPTION	DATE	DWN	APVD
-	-	SEE SHEET 1	-	-	-



- 4. PACKING MATERIAL:  
CARRY TAPE: PS; COLOR: CLEAR.  
COVER TAPE: PET; COLOR: SMOKE.
- 5. PEELING STRENGTH OF COVER TAPE: 0.2N~1.2N

2129390-1	600	2	1200
P/N	PCS/TAPE	REELS/CARTON	TOTAL QUANTITY

INFORMATION IS TE CONFIDENTIAL & PROPRIETARY

THIS DRAWING IS A CONTROLLED DOCUMENT.

DIMENSIONS:	TOLERANCES UNLESS OTHERWISE SPECIFIED:
mm	
0 PLC	± 0.25
1 PLC	± 0.25
2 PLC	± 0.25
3 PLC	± 0.25
4 PLC	± 0.25
ANGLES	± 5°
MATERIAL	FINISH

DWN	-
CHK	-
APVD	-
PRODUCT SPEC	-
APPLICATION SPEC	-
WEIGHT	-
CUSTOMER DRAWING	-

**STE** TE Connectivity

NAME: HEADER ASSEMBLY  
0.5CL 70POS. DOCKING CONNECTOR

SIZE: A3 CAGE CODE: 00779 DRAWING NO: 2129390 RESTRICTED TO: -

SCALE: 2:1 SHEET: 4 OF 4 REV: A3